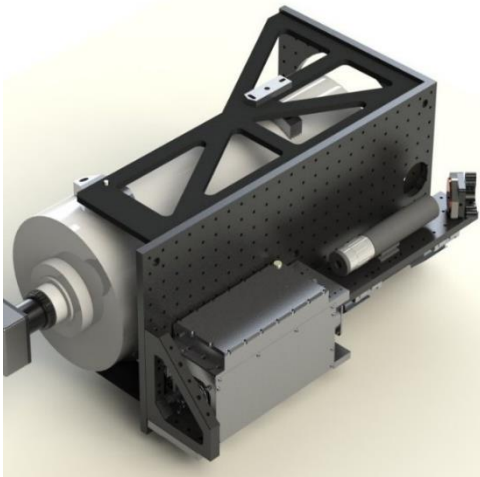


MODULAR GATED LASER VIEWING SYSTEM FOR SUBSEA APPLICATIONS

DEFENCE VISION SYSTEMS (DVS) LTD

Enhance your subsea systems capabilities by fitting the DVS Gated Laser System

- See better/clearer/further under water
- Modular for easy integration into a subsea systems
- User friendly operation



Modular Gated Laser Viewer

Active Laser Viewing for underwater applications

The DVS gated laser viewing system provides greatly improved underwater vision. Research has shown this can be up to six times when compared to systems using flood lights. The DVS system works at the blue end of the spectrum, using a pulsed laser operating at a wavelength selected for maximum water penetration. The system contains a fast-gated intensified camera, with the intensifier matched to the wavelength of the pulsed laser thus ensuring optimum vision in adverse water conditions.

The system uses the laser as the master trigger and after a user pre-ordained delay the camera is activated. The delayed gate period can be moved up and down the viewing range to find a target of interest.

The laser beam is passed through an expander system that ensures the beam fills the field of view of the camera system. The operation of the laser automatically, via a delay circuit, triggers the camera and after a user, pre-ordained, delay, the camera shutter opens. This delay ensures that only light reflected from the target is seen by the camera. The camera is open for a few nanoseconds, known as the gate period, thus ensuring high quality images of the target.

Due to the camera only seeing the light reflected from the target any interference, due to the water condition, between the camera and the target is ignored.